

PERTRONIC INDUSTRIES LTD

DATASHEET

PS2 Apartment Sounder



Overview

The Pertronic PS2 Apartment Sounder generates AS 2220 evacuation and alert tones.

The PS2 is compatible with conventional and analogue addressable Pertronic fire panels. The Apartment Sounder connects to the LED output of a conventional or analogue addressable smoke detector.

The PS2 Apartment Sounder generates a local evacuation tone when triggered by an active detector.

Apartment Sounders may be configured to generate a global alert or evacuation tone, triggered by the fire panel's bell circuit.

In conventional systems the sounder is powered by the fire panel's bell circuit. In analogue addressable systems, the sounder is powered by the analogue addressable circuit.



The Pertronic PS2 Apartment Sounder is available in red or white

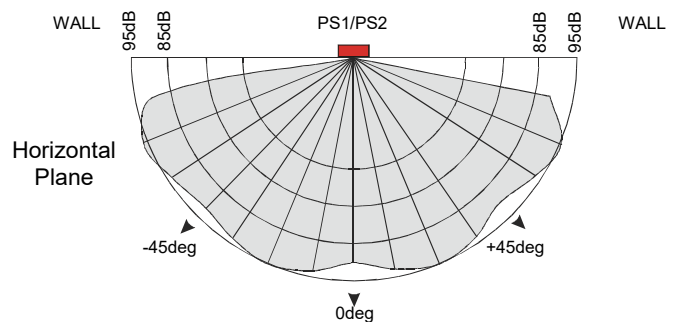
Features

- » AS 2220 evacuation and alert tones
- » 95 dBA @ 1 metre output sound level with 20 dB adjustable volume control.
- » May be mounted in standard single-gang flush or surface-mount electrical fittings
- » Supplied with a protective plastic cover for installation during building construction
- » Available in red or white
- » Up to five PS2 Apartment Sounders may be interlinked to operate simultaneously
- » Interlinked Apartment Sounders may be triggered by a single detector or by multiple detectors

Specification

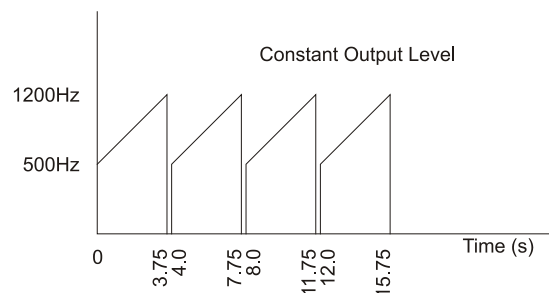
Dimensions (H x W x D)	117 x 74 x 12 mm (excluding flush box)
Sound Level (High Volume)	
Alert, Evacuation 12 V	95 dBA ± 3 dBA at 1 m
Alert, Evacuation 24 V	98 dBA ± 3 dBA at 1 m
Operating Voltage	9.5 to 30 Vdc
Quiescent Current	0.2 µA @ 12 Vdc 0.4 µA @ 24 Vdc
Alarm Current (average)	8 mA @ 12 Vdc 14 mA @ 24 Vdc
Alarm Current (peak)	12 mA @ 12 Vdc 22 mA @ 24 Vdc

Sound Pressure Distribution

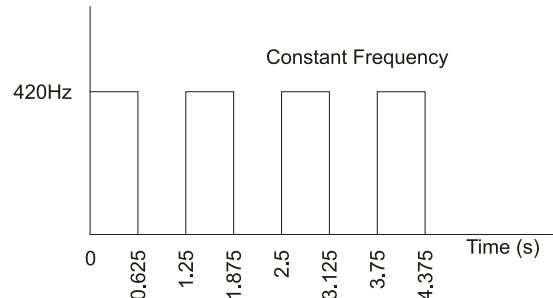


AS 2220 Tone Patterns

Evacuation Tone



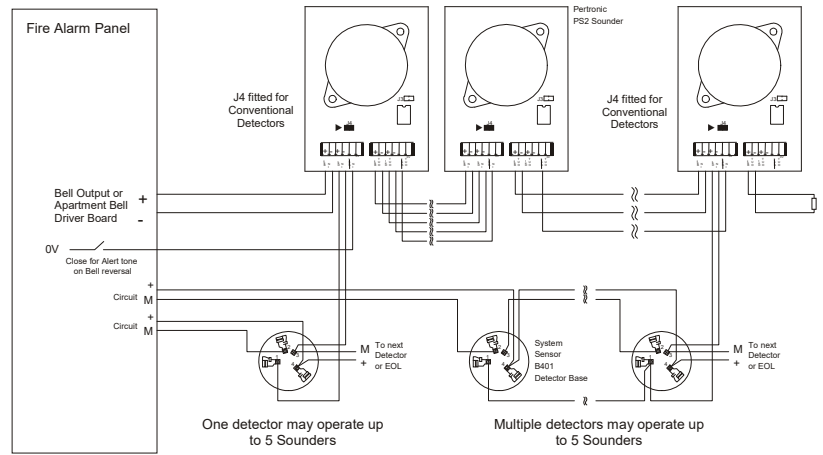
Alert Tone



Connections: Conventional Detectors

With conventional detectors the PS2 Apartment Sounder(s) may be configured to generate either the Alert or Evacuation tone when the Bell Output is activated.

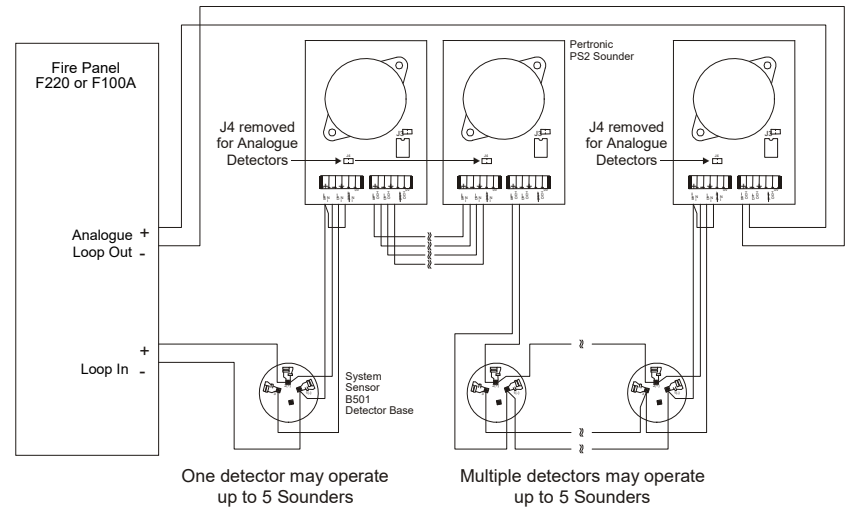
In either case the sounder generates the evacuation tone when the detector is in Alarm.



Connections: Analogue Addressable Detectors

Local Sounder Operation

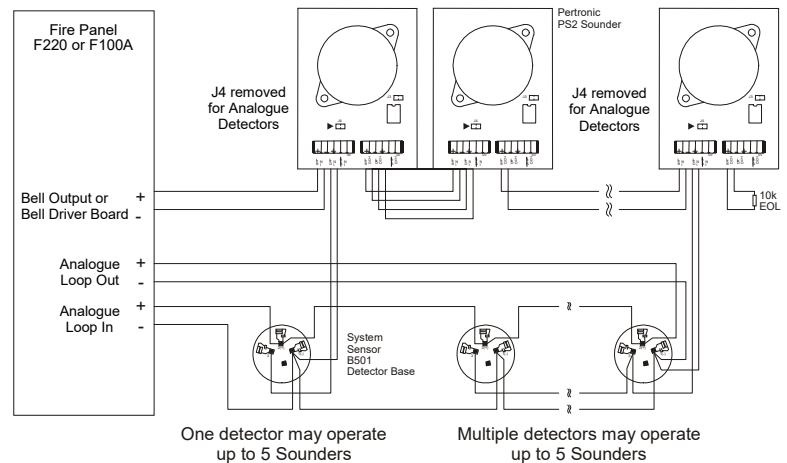
When connected for local sounder operation, the PS2 Apartment Sounder(s) generates the Evacuation tone when the associated detector is in Alarm.



Local & Global Sounder Operation

When connected for local & global sounder operation, the PS2 Apartment Sounder(s) generates the Evacuation tone when the associated detector is in Alarm.

The sounders may be configured to generate the Alert or Evacuation tone when the Bell circuit is activated.



Ordering Information

Product Code	Description	NZFPA Listing
PS2-R	Pertronic Apartment Sounder Flush, Red	PI/407
PS2-W	Pertronic Apartment Sounder Flush, White	PI/407

NOTE: The PS2's evacuation and alert tones do not comply with NZS4512:2010 for general evacuation, because they have no voice component.

The information in this document must not be treated as partial or complete instructions for the design, construction, installation, commissioning, or maintenance of fire detection, fire alarm, or building evacuation systems. Fire and evacuation systems must be designed and installed by properly qualified persons, in accordance with all regulatory requirements.

Unless explicitly stated otherwise, this document provides typical specifications and nominal dimensions. Actual product performance and dimensions may vary.

All information in this document is subject to change. Please consult Pertronic Industries or visit our web site for up to date information.

PERTRONIC® is a registered trademark of Pertronic Industries Limited.