

Product Guide**C 2048** 10W Marine 100V Line IP66 Rated ABS Horn Speaker**C 2048** 10W Weatherproof EWIS Horn Speaker

- ✓ UV stabilised ABS construction
- ✓ Stainless steel mounting hardware
- ✓ Rust-free stainless steel bracket
- ✓ Superb speech & music reproduction
- ✓ Excellent sound dispersion
- ✓ Suitable for installation in exposed outdoor areas
- ✓ EWIS line monitoring system compatible
- ✓ 5 year warranty

**Application**

The C 2048 is an IP66 rated weatherproof horn speaker designed for indoor or outdoor installations.

Used for distributed paging systems requiring a high degree of speech articulation and program clarity.

Features marine grade stainless steel fixings & mounting bracket. Recommended for use in marine environments; ships, industrial plants and other harsh environmental applications.

Fitted with 22uf bipolar isolation capacitor to permit line monitoring function when employed with EWIS installations.

About Redback® Speaker Drivers

Each horn speaker has been specifically engineered to ensure a wide frequency range and dispersion angle, plus a high sound pressure level (SPL) ensuring excellent music and speech intelligibility; which is highly desirable.

Redback® drivers exhibit optimum frequency response and efficiency for BGM & paging applications.

Redback® drivers are subject to strenuous factory testing reducing the risk of unit failure or performance reduction over time.

Installation Guidelines

The C 2048 is a 100V line horn speaker designed for direct connection to a commercial amplifier with 100V output. It is fitted with a 300mm 4 core cable for loop through connection. Power tap selection is via rear mounted rotary switch.

The speaker is supplied with a stainless steel bracket and fixings ensuring rust-free performance even in harsh environments.

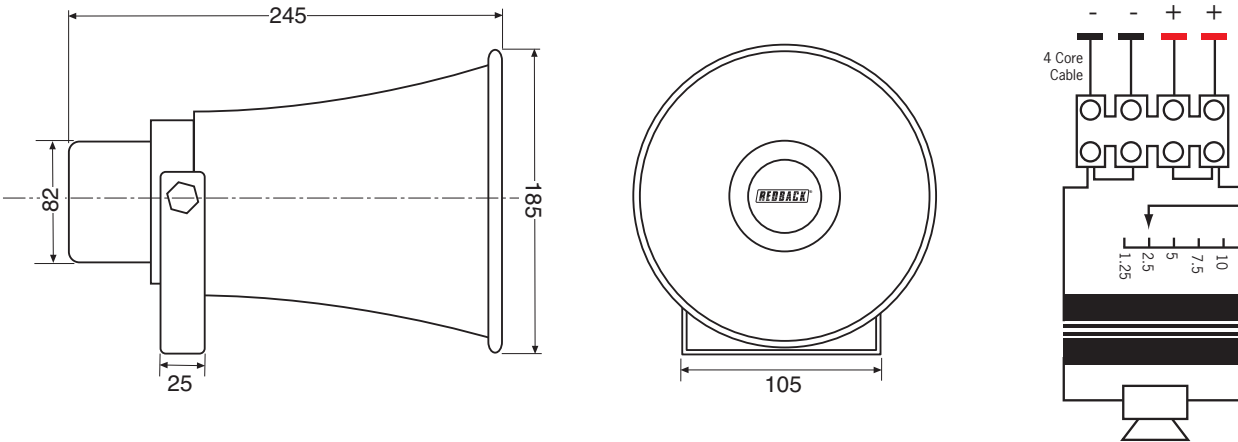
The neutral grey RAL colour of C 2048 provides an architecturally unobtrusive finish to virtually any installation.

Product Guide

C 2048 10W Marine 100V Line IP66 Rated ABS Horn Speaker



Dimensions & Transformer Detail



Specifications

Electrical

Power taps:	1.25, 2.5, 5, 7.5, 10W
SPL 1W @ 1m:	105dB @ 1kHz (+/- 2dB)
SPL Max Tap @ 1m:	115dB @ 1kHz (+/- 2dB)
Frequency response:	300Hz-13kHz
Connection:	4 core fly lead
EWIS line monitoring:	22uF bipolar capacitor fitted
Dispersion angle:	110°

Mechanical

Driver construction:	Aluminium voice coil former
Mounting depth:	270mm
Overall weight:	1.7kg

Environmental

Operating temperature:	-25°C to +70°C
Relative humidity:	< 95%

Architectural Specifications

The horn speaker shall operate at 100V and have power taps of 10W, 7.5W, 5W, 2.5W and 1.25W. Power settings shall be made by screw driver switch. It shall have SPL of 105 – 115dB. It shall have a frequency response of 300Hz to 13 kHz and a dispersion angle of 110°. It shall have a 22uf bipolar isolation capacitor for line monitoring. The horn will be provided with a four core cable for field wiring connection. Two for the incoming circuit and two for the outgoing circuit.

The speaker body shall be made of ABS and have an IP66 rating. The speaker shall incorporate stainless steel fixing hardware enabling use in marine environments. The horn speaker shall be a REDBACK model C 2048.