

INSTRUCTION MANUAL

MPH-5300 Series

Horn Speaker

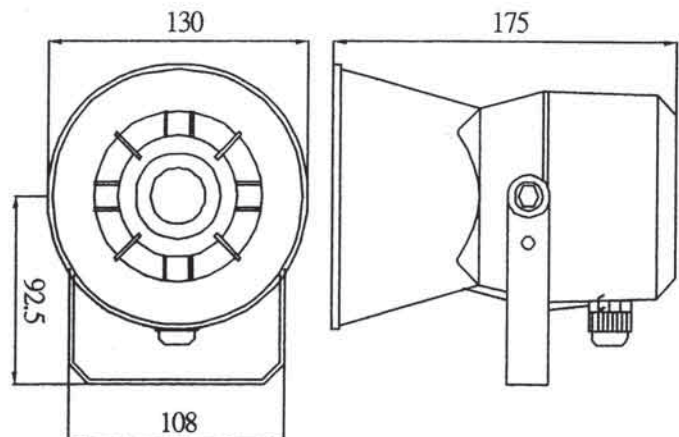
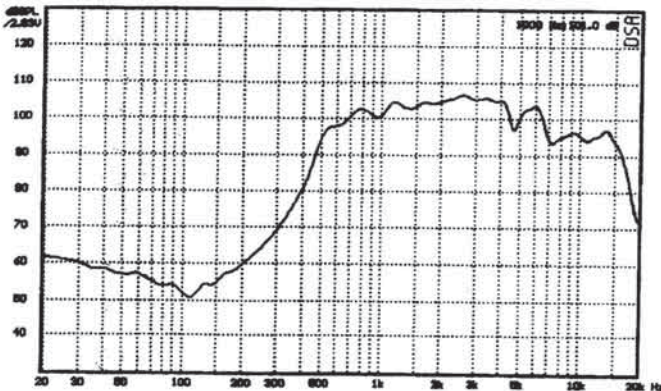
WARNING :

- Installation by qualified persons only.
- Speakers must be wired in parallel and connected to the correct line terminals of amplifier.
- Ensure that all speakers have the same polarity with respect to each other.
- Do not select another tapping if the speaker is in use!
- No naked flame sources, such as lighted candles, should be placed on the apparatus.

SPECIFICATION

Model No.	MPH-5308	MPH-5308MS	MPH-5300	MPH-5300MS
Rated Power (rms)	30W			
Impedance	8Ω		167Ω, 333Ω, 666Ω, 1.33KΩ, 2.67KΩ	
Power Taps @ 100V			30W, 15W, 7.5W, 3.75W	
Power Taps @ 70V			30W, 15W, 7.5W, 3.75W & 1.9W	
SPL (1W/1m)	106dB			
Max. SPL (Rated W/1m)	121dB			
Freq. Range (-10dB)	500 Hz ~ 7K Hz			
Freq. Range (-20dB)	430 Hz ~ 16K Hz			
Dispersion 1 KHz/4 KHz	240° / 45°			
Water Protection	IEC529 IP66			
Power Selection Way	n.a.		6-core cable	
Material	High impact ABS with UV resistance			
Colour/Finish	White (RAL 9016)			
Dimensions	130 (5.12) Dia. × 175 (6.89) Length mm (in.)			
Weight	1.4 Kgs (3.09 lbs)		1.7 Kgs (3.75 lbs)	
Mounting	U type Stainless steel Bracket	U Type AISI 316 Stainless steel Bracket	U type Stainless steel Bracket	U Type AISI 316 Stainless steel Bracket

Frequency Response



Unit:mm