

# PERTRONIC INDUSTRIES

## INSTALLATION DATASHEET

Remote LED Indicator

DETREM



### Overview

The Pertronic Remote LED Indicator (DETREM) is a remote annunciator for use with detectors in concealed locations. The unit is compatible with several types of detectors manufactured by System Sensor and Pertronic Industries.

The unit provides a visual indication of the status of the concealed detector. When the detector goes into alarm, a red LED on the remote annunciator lights up.

### Operation and Compatibility

The unit connects to the remote annunciator output of System Sensor detectors, or the remote LED output of Pertronic remote LED heat detectors. When activated, the detector supplies the DETREM with current.

The Pertronic Remote LED Indicator has three positive terminals: Each positive terminal is designed to connect to specific types of detectors. The negative terminal is common to all detector types.

The following table lists the compatible detector types, and the positive terminal which must be used with each detector type.



**Pertronic Remote LED Indicator (DETREM)**

Compatible Detector Type	DETREM +ve Terminal
System Sensor Series 100 conventional detectors	Terminal 1
System Sensor Series 200 analogue addressable detectors	Terminal 2
System Sensor Series 300 conventional detectors	Terminal 3
Pertronic Indicating Heat Detectors with Remote O/P	Terminal 3
Pertronic Thermistor Heat Detectors with Remote O/P	Terminal 3

#### Notes:

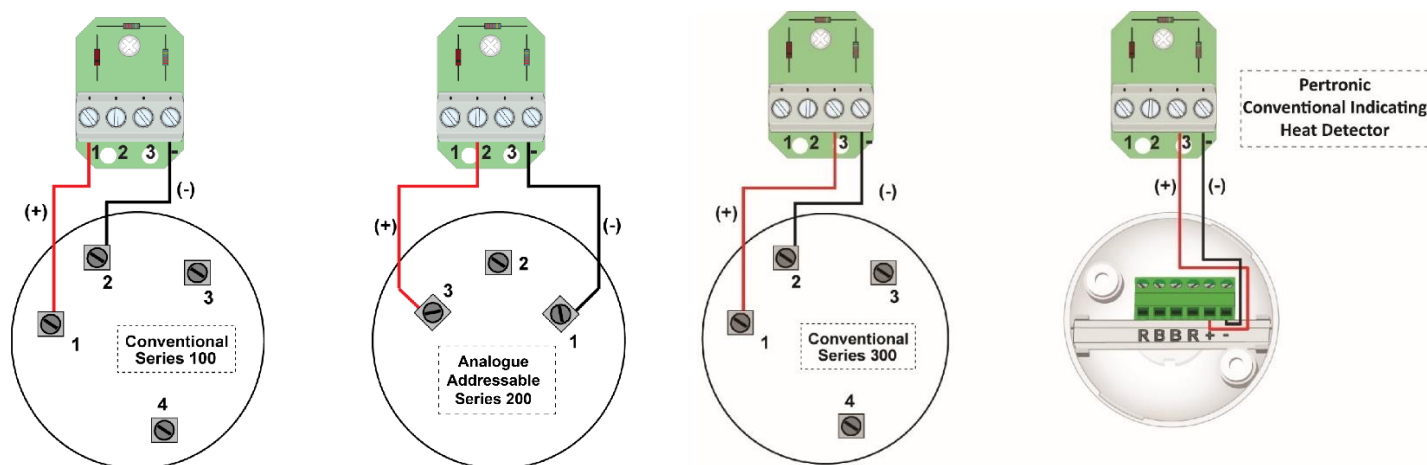
1. There are special versions of the Pertronic Thermistor Heat Detectors and Pertronic Indicating Heat Detectors ((including V series) for use with the Remote LED Indicator. These detectors have a pair of output terminals for connecting the Remote LED Indicator.
2. Standard Pertronic heat detectors do not have remote output terminals, and can not be used with the Remote LED Indicator (DETREM).
3. For System Sensor Series 200 analogue addressable detectors, the Remote LED Indicator Unit will flash when the device is polled, if LED blink is ON.
4. For System Sensor Series 100 and Series 300 conventional detectors, the Remote LED Indicator Unit will not flash when the device is in standby (LED blink) mode.
5. Pertronic indicating or thermistor heat detectors latch in the alarm state. The Remote LED Indicator lights up when the detector goes into alarm, and remains on until the detector is reset.

### Specifications

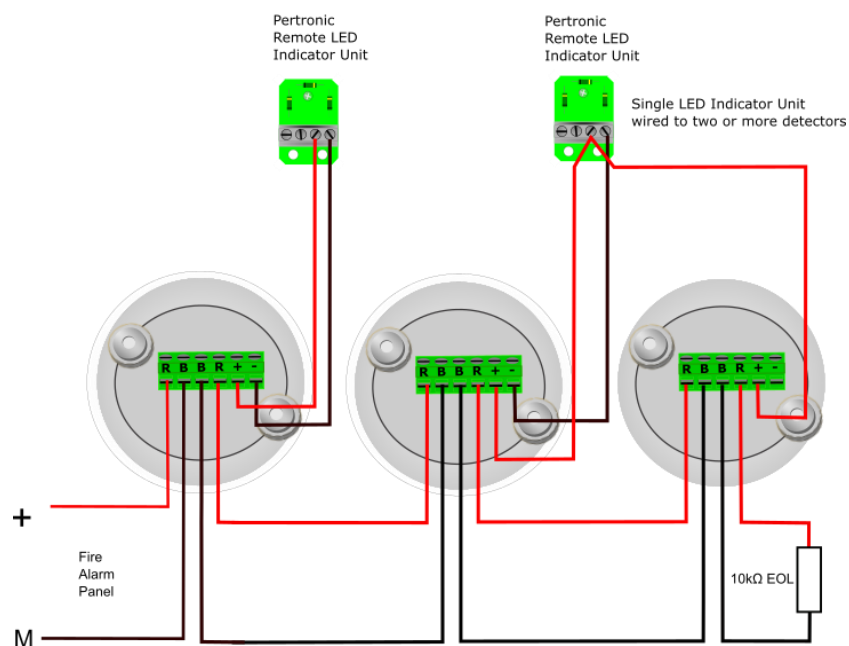
<b>Operating Voltage</b>	12 to 24 Vdc	<b>Dimensions</b>	65 x 5 mm (Dia. x H)
<b>Alarm Current*</b>	3 mA	<b>Weight</b>	10 g
<b>Operating Temperature</b>	0 °C to 80 °C	<b>Material</b>	Polycarbonate
<b>Humidity</b>	10 to 95 % RH (non-condensing)	<b>Colour</b>	White

\* **Note:** Alarm current is specified with the DETREM connected as shown in this document.

## Connections



## Using the Remote LED Indicator with one or more Pertronic Heat Detectors



### Note:

When a single LED Indicator unit is connected to multiple detectors, only one ground is used as shown.

## Ordering Information

Product Code	Description
DETREM	Pertronic Remote LED Indicator

The information in this document must not be treated as partial or complete instructions for the design, construction, installation, commissioning, or maintenance of fire detection, fire alarm, or building evacuation systems. Fire and evacuation systems must be designed and installed by properly qualified persons, in accordance with all regulatory requirements.

Unless explicitly stated otherwise, this document provides typical specifications and nominal dimensions. Actual product performance and dimensions may vary.

All information in this document is subject to change. Please consult Pertronic Industries or visit our web site for up to date information.

PERTRONIC® is a registered trademark of Pertronic Industries Limited.