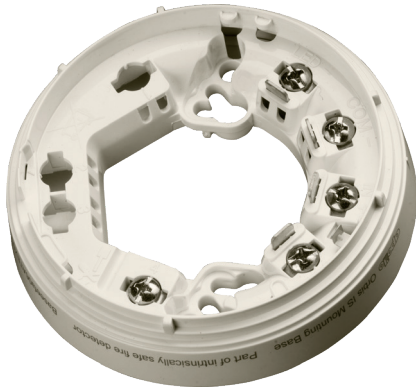
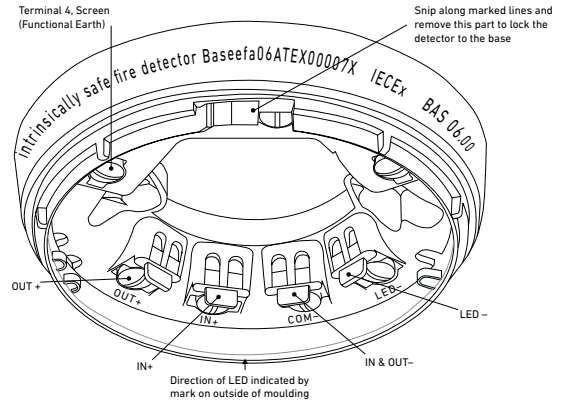


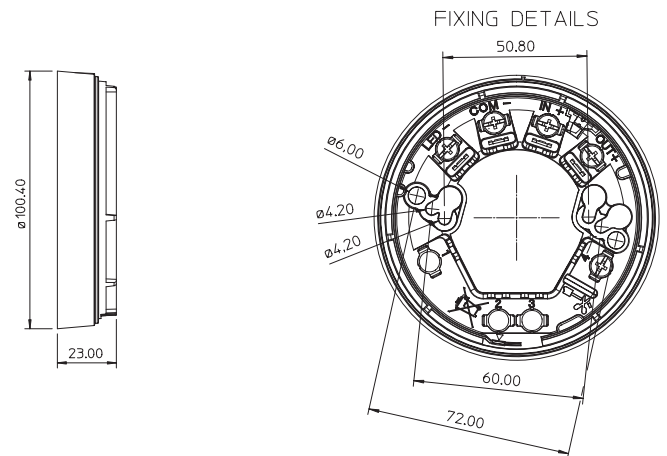
# Orbis I.S. TimeSaver® Base



## Orbis I.S. TimeSaver base terminals



## Orbis I.S. TimeSaver base dimensions



## Marine Equipment Directive 2014/90/EU

The Orbis I.S. TimeSaver Base complies with the essential requirements of the Marine Equipment Directive 2014/90/EU.

### Product overview

Product	I.S TimeSaver Base
Part No.	ORB-MB-50018-APO

### Approvals



### Product information

The Orbis Intrinsically Safe (I.S.) TimeSaver Base has been designed to make installation fast and simple.

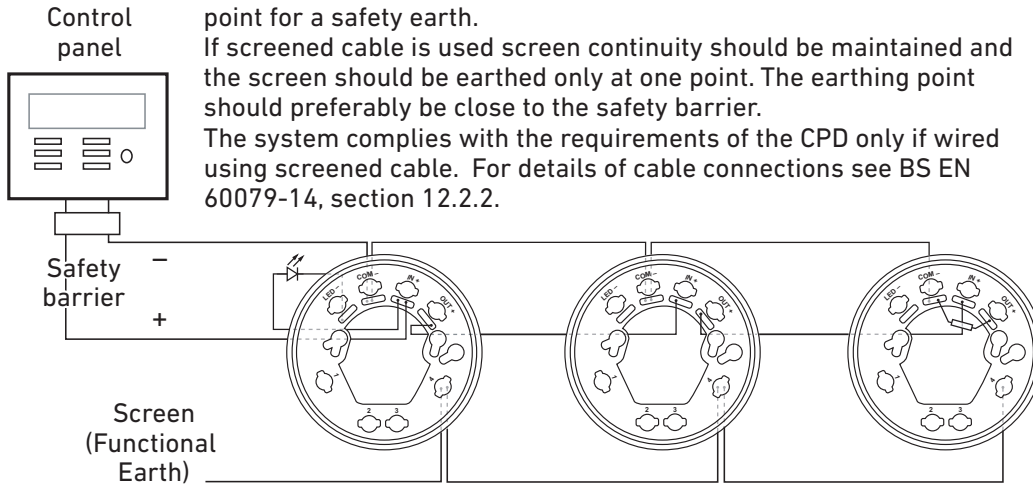
The terminal screws are captive screws and will not fall out of the terminals. The base is supplied with the screws unscrewed in order to avoid unnecessary work for the installer.

If it is required that all detectors are fitted with their LEDs facing the same direction, the bases must be fitted to the ceiling observing the marking on the exterior which indicates the position of the LED.

- Grouped terminals to make wiring easy
- Multiple fixing centres
- LED alignment mark
- Cable stripping guide

Orbis I.S. TimeSaver Base wiring diagram

Note: the earth terminal in the base is provided for convenience where continuity of a cable sheath or similar is required. It is not necessary for the correct operation of the detector nor is it provided as a termination point for a safety earth.  
 If screened cable is used screen continuity should be maintained and the screen should be earthed only at one point. The earthing point should preferably be close to the safety barrier.  
 The system complies with the requirements of the CPD only if wired using screened cable. For details of cable connections see BS EN 60079-14, section 12.2.2.



Orbis I.S. TimeSaver Base wiring diagram - three bases wired with a common LED

Note: the earth terminal in the base is provided for convenience where continuity of a cable sheath or similar is required. It is not necessary for the correct operation of the detector nor is it provided as a termination point for a safety earth.  
 If screened cable is used screen continuity should be maintained and the screen should be earthed only at one point. The earthing point should preferably be close to the safety barrier.  
 The system complies with the requirements of the CPD only if wired using screened cable. For details of cable connections see BS EN 60079-14, section 12.2.2.

