



RMK400 RECESSED MOUNTING KIT FOR PLUG IN SMOKE DETECTORS

DIMENSIONS:

Interior Diameter: 103 mm
 Exterior Diameter: 143.5 mm
 Cut-out Diameter: 107 mm
 Overall Height: 31 mm
 Weight: 0.1Kg

FEATURES:

- Reduces the depth of any System Sensor detector mounted in a standard 102mm diameter base by up to 20mm.
- Appropriate for drywall or suspended acoustical panel ceilings.
- May be used with standard junction boxes connected to flexible conduit.
- Incorporates special mounting bracket that secures the kit and base assembly to the junction box and ceiling panel.

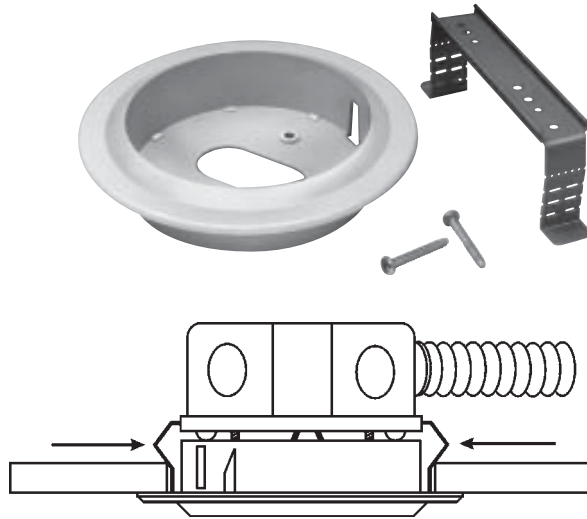


Fig 1: RMK400 Mounted in a Suspended Ceiling

The System Sensor RMK400 recessed mounting kit provides a simple installation solution where the application demands a lower profile smoke detector.



2251EM Optical detector mounted in RMK400 Recessed Mounting

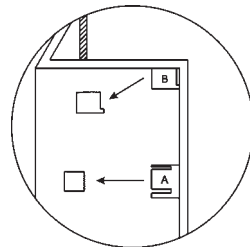


Fig 2: To mount 400 and 500 Series detectors, remove ALL support webs at A and B using a cutting tool to obtain a clean level platform.



RMK400 RECESSED MOUNTING KIT FOR PLUG IN SMOKE DETECTORS

DIMENSIONS:

Interior Diameter: 103 mm
 Exterior Diameter: 143.5 mm
 Cut-out Diameter: 107 mm
 Overall Height: 31 mm
 Weight: 0.1Kg

FEATURES:

- Reduces the depth of any System Sensor detector mounted in a standard 102mm diameter base by up to 20mm.
- Appropriate for drywall or suspended acoustical panel ceilings.
- May be used with standard junction boxes connected to flexible conduit.
- Incorporates special mounting bracket that secures the kit and base assembly to the junction box and ceiling panel.

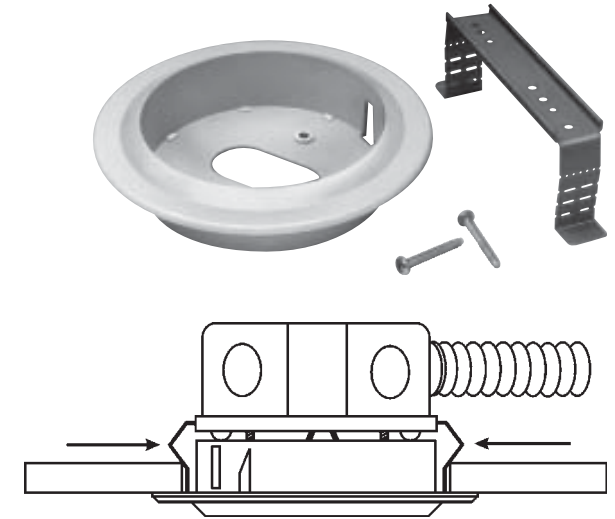


Fig 1: RMK400 Mounted in a Suspended Ceiling

The System Sensor RMK400 recessed mounting kit provides a simple installation solution where the application demands a lower profile smoke detector.



2251EM Optical detector mounted in RMK400 Recessed Mounting

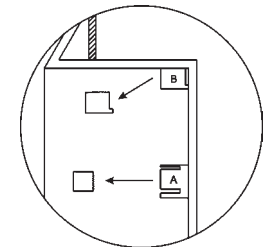


Fig 2: To mount 400 and 500 Series detectors, remove ALL support webs at A and B using a cutting tool to obtain a clean level platform.