

# PERTRONIC INDUSTRIES LTD

## F120 MK2 Full Function Mimic INSTALLATION NOTE



### Overview

The new-look **Pertronic F120A MK2 LCD Mimic** allows remote display of messages from an **F120A** panel. The **F120A MK2 LCD Mimic** is supplied to conform to NZS4512-2003, and it can perform all the keyboard-display functions of the **F120A** panel. Up to 8 addressable **F120A LCD Mimics** may be connected to a **F120A** panel and operate in 'Full Duplex' mode.



### Features

#### General:

- 4 line, 40 character, alpha-numeric LCD display
- Backlit LCD Display in 'Alarm' or 'Defect' Condition
- Three LEDs to indicate 'Fire', 'Defect' and 'Normal' status
- Local buzzer with extension buzzer output
- External defect input via IDC connector
- 2 x (parallel) Door Switch IDC connectors to determine mimic door open/closed state
- Low Power consumption

#### Front Panel access:

- 'Evacuation' key-operated switch to operate the 'Sounder' (Bells) circuit
- 'Silence Alarms' key-operated switch to silence the 'Sounder' (Bells) circuit
- 'Buzzer Silence' switch silences all buzzers, both on the **F120A** panel and remote

#### Door Open access:

- 'Silence Alarms' switch: cancels the sounder circuit
- 'Evacuate' switch: operates the 'Sounder' (Bells) circuit
- 'Previous' switch: used to navigate forwards through alarm queues and logs
- 'Next' switch: used to navigate backwards through alarm queues and logs
- 'ACK' switch: Alarm acknowledge facility
- 'Reset' switch: resets the panel and detectors after alarm activation
- 'Isolate' switch: used to isolate loop devices
- Full Menu controls with Door Holder Isolate, Auxiliary Isolate, and Walk Test plus ATS Isolate and ATS Test.

Note: Password to enter Engineer menu is not displayed

### Specifications

Dimensions:	H x W x D mm 200 x 376 x 50
Mounting:	2 x keyholes provided at 250mm distance
Cable entry:	On rear
Power Supply:	
Quiescent—	12mA - backlight and buzzer OFF
Alarm—	43mA @ 27Vdc - backlight and buzzer ON
Mimic Communications:	RS-485 Serial Link
	+ +24Vdc   A Data 'A' Leg
	- 0V        B Data 'B' Leg

## Installation/Commissioning

Wire the SGD Cable from the Pertronic Analogue Addressable panel to the LCD Mimic connector K13.

The twisted pair provides the data feed to the A and B terminals of K13.

The two conductors provide the DC power supply +/- of K13.

Wire from K14 to the next Mimic device. Terminate the last device (LCD or LED Mimic) with a 470 $\Omega$  resistor in the A and B terminals of K14 to provide End-of-Line termination.

Ensure that EXT DEF is bridged by a jumper link or connected to the respective 'normally closed' function output (that is, relay contact). AUX INTERLOCK is currently not used/functional.

Set address links: **Address**            **Function**  
    Address 1 to 8    Polled LCD Mimics

The set LCD mimic address is read when the mimic gets powered up.

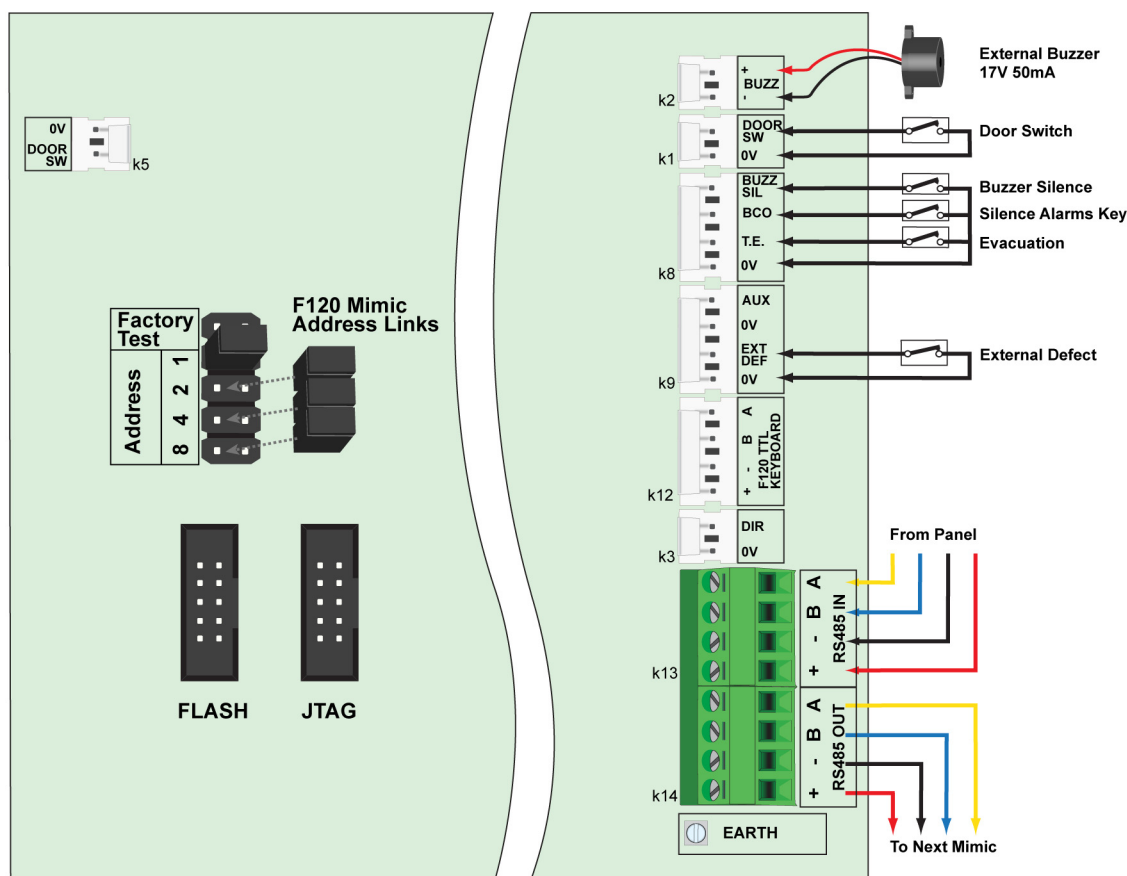
Note: a maximum 32 devices may be connected to the External RS485 port.

When initially powering up the Firmware, version and LCD mimic address are displayed.

Until the door is closed, a LCD mimic 'DOOR OPEN' message (no defect) is displayed. A Door interlock defect is displayed if the F120 panel door gets closed with an open LCD mimic door.

Please refer to the F120A Fire Alarm Panel manual for additional information.

## Connection Diagram



## Product Codes

Description	Order Code
F120A MK2 LCD Full Function Mimic NZS4512:2003	F120AM-3
Mimic Cable Internal: 1 Pair @ 0.5mm <sup>2</sup> ; 2 Core @ 0.8mm <sup>2</sup> ; 250m Drum	SGDCI
SGD Cable External: Twisted Pair @ 0.5mm <sup>2</sup> ; 2 Core @ 1.13mm <sup>2</sup> ; 500m Drum	SGDCE
SGD Cable Internal - Fire Rated: 1 Pair @ 16/0.2mm <sup>2</sup> ; 2 Core @ 16/0.2mm <sup>2</sup> ; 100m Drum	SGDCIFR