



Purpose

EWIS systems differ from standard Pertronic Amplifiers in the way they monitor the 100V line. Pertronic Amplifiers monitor the 100V line in the normal condition but not in the activated condition. EWIS systems monitor the 100V line in the normal and activated condition.

Control devices such as apartment modules and M500S modules use a passive EOL resistor for monitoring purposes. When the EWIS and control devices are activated the EOL resistor (typically 47K on the control module) is then connected across the EWIS 100V line. This will then incorrectly generate a defect on the EWIS.

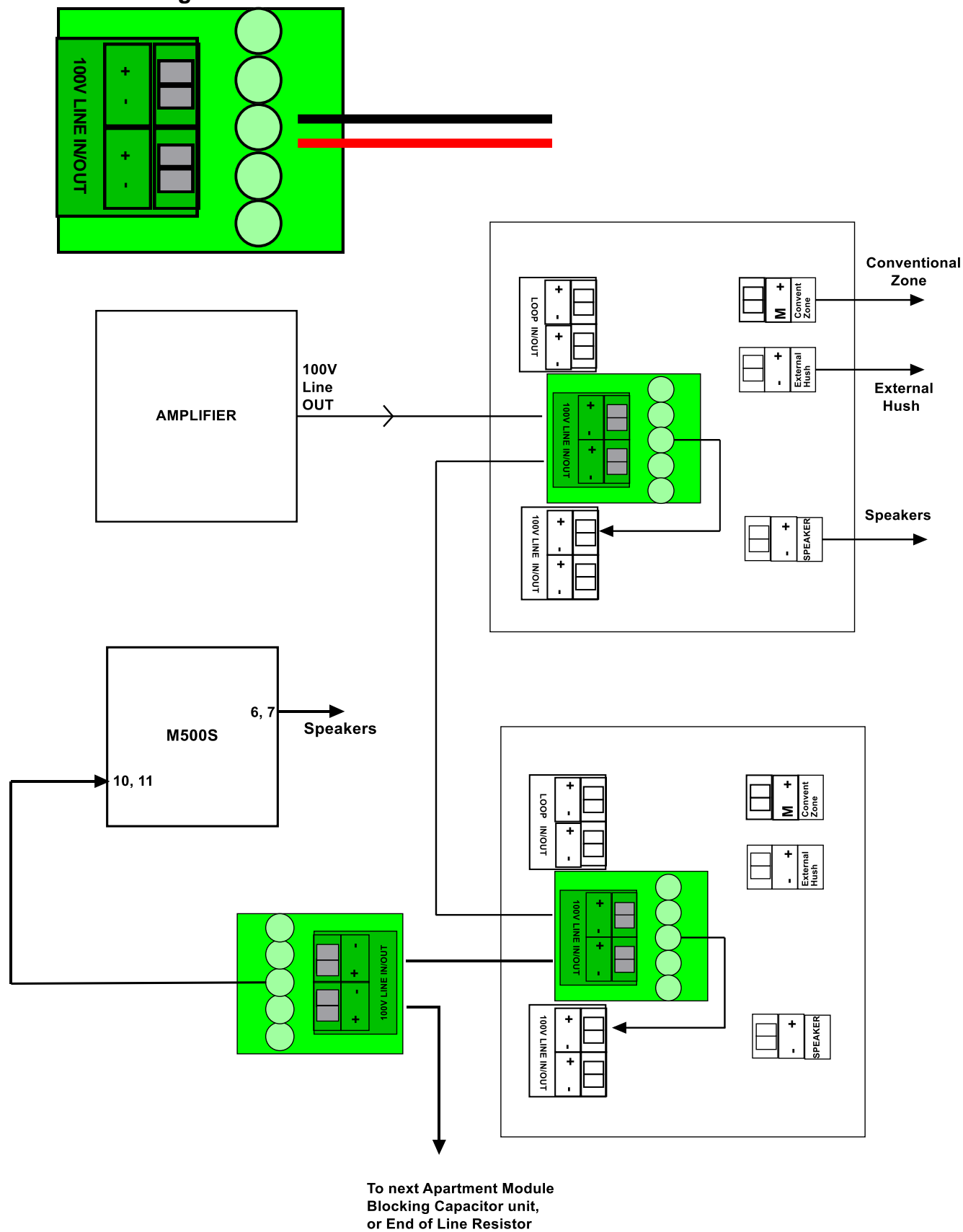
Design Function

The Pertronic Apartment Module Blocking Capacitor when used in conjunction with installations using (QE90 or Ampac EWIS systems) is designed to block the DC path between the 100V line 'main feed' and separately switched and monitored control devices such as apartment modules and M500S modules. The Blocking Capacitor prevents the 100V line main feed monitoring from being unbalanced by the 47K EOL on the output of the control modules, in the active state.

Specification

Dimensions	26.16mm x 34.8mm x 15mm (L x W x H) Designed to fit piggybacked onto an Apartment module or System Sensor M500S relay module.
Mounting	By means of double sided adhesive rubber (provided). To be fitted onto back of Apartment module between connectors Loop in/out and 100V line/in/out of the Apartment Module, so that the board edge of the capacitor board (100V in/out side) does not protrude beyond the Apartment Module connectors. Alternatively it may be mounted on stand-offs or other suitable means.
100V Line in/out:	Connects to the 100V Audio Line main feed from the Evacuation Amplifier, daisy-chained to the next module and terminated at the last Apartment Module blocking capacitor in/out connection with the required EOL device (e.g. 56k Ω for EWIS).
Output	2-wire (provided; connects to one of the Apartment Module 100V in/out connections (the other remaining 'free') or input of a System Sensor M500S relay module.
Capacitance	10 μ F (nominal), 100V, bipolar.
Speaker Loading	The recommended maximum speaker loading per apartment module blocking capacitor unit is 10W.
Use	It is recommended that each connected Apartment Module or M500S (of a EWIS installation) is outfitted with one Apartment Module Blocking Capacitor.

Connection Diagram:



Order Code

Product	Order Code
Apartment Module Blocking Capacitor	BCEWAPT